

Connecting the DCT

Back Panel*

SPDIF

A SPDIF RCA connector that provides Dolby® Digital audio or PCM audio (digital audio recording). The audio settings are defined in the electronic program guide

Aux Audio

Connect audio from auxiliary audio equipment

Optical

An optical connector that provides Dolby® 5.1 (Digital AC-3) audio.

Cable In

Connect to cable signal from cable service company

Video

Connect to video input of TV or VCR

S-Video

Connect to S-Video input of TV or VCR

To TV/VCR

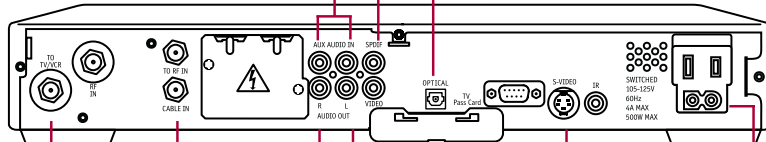
Connect the Digital Receiver to TV or VCR

Audio Out (R/L)

Connect to left/right audio inputs of a stereo receiver or a TV with stereo sound

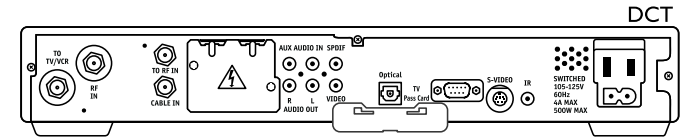
AC Switched Outlet

Connect AC power cord from another device, such as a TV or VCR

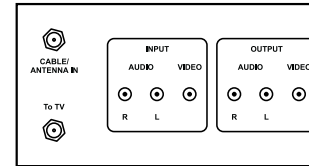


Connecting the DCT

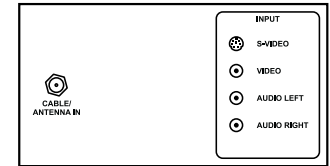
Recording Your Connections



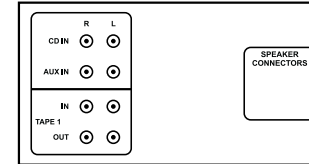
VCR



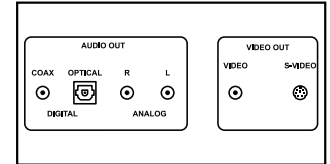
TV



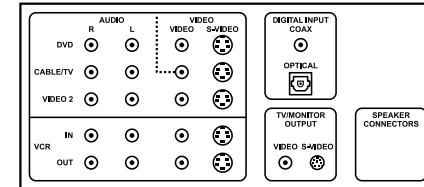
Stereo receiver



DVD



A/V receiver



* Your DCT may vary, but the connections are basically the same.

Use this diagram to record cable connections from the rear panel. Later, you can use this diagram to reconnect your system if you move the equipment or add new equipment.

Disconnect the power from the DCT before connecting or changing cable connections. Do not place another component or object on top of the DCT.

Connecting the DCT

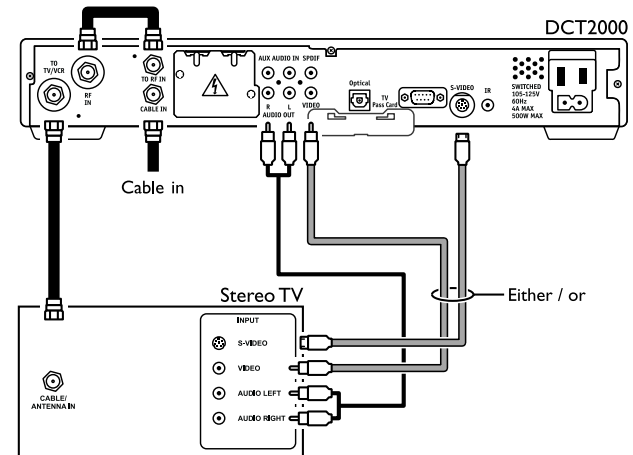
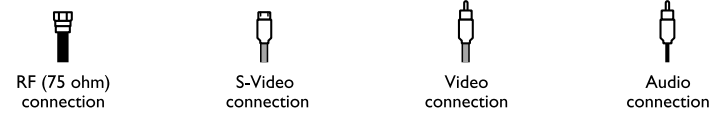
Audio/Video Connections

Before you begin to hook up your DCT, review the following:

- For basic cable connections, use 75-ohm coaxial cables equipped with F-type connectors. You can find coaxial cables in your local electronics store.
- For audio or video outputs, use cables equipped with RCA and S-Video type connectors.
- If you are connecting the coaxial TO TV/VCR connector on the DCT to the coaxial CABLE / ANTENNA IN connector on the TV, you must tune your TV to channel 3 or 4.
- Disconnect power from the DCT before connecting or changing cable connections.
- Do not place anything on top of the DCT, especially other home video components.

Connecting the DCT

Connecting Your DCT2000

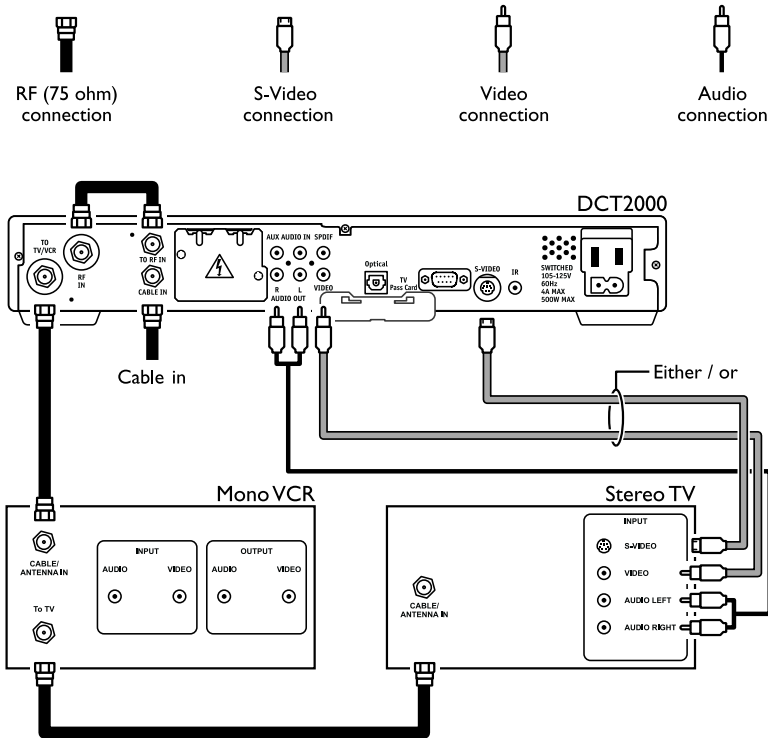


Connecting a Stereo TV:

1. Connect an RF coaxial cable between the cable wall outlet and the CABLE IN connector on the DCT.
2. Connect the RF coaxial cable, supplied with the DCT, between the RF IN and TO RF IN connectors on the DCT.
3. Connect a RF coaxial cable between the TO TV / VCR connector on the DCT and the CABLE / ANTENNA IN connector on the TV.
4. Connect a stereo audio cable between the AUDIO R and L connectors on the DCT and the AUDIO LEFT and AUDIO RIGHT connectors on the stereo TV.
5. Connect a video cable between the VIDEO connector on the DCT and the VIDEO connector on the TV.
OR
Connect a S-video cable between the S-VIDEO connector on the DCT and the S-VIDEO connector on the stereo TV.

Connecting the DCT

Connecting Your DCT



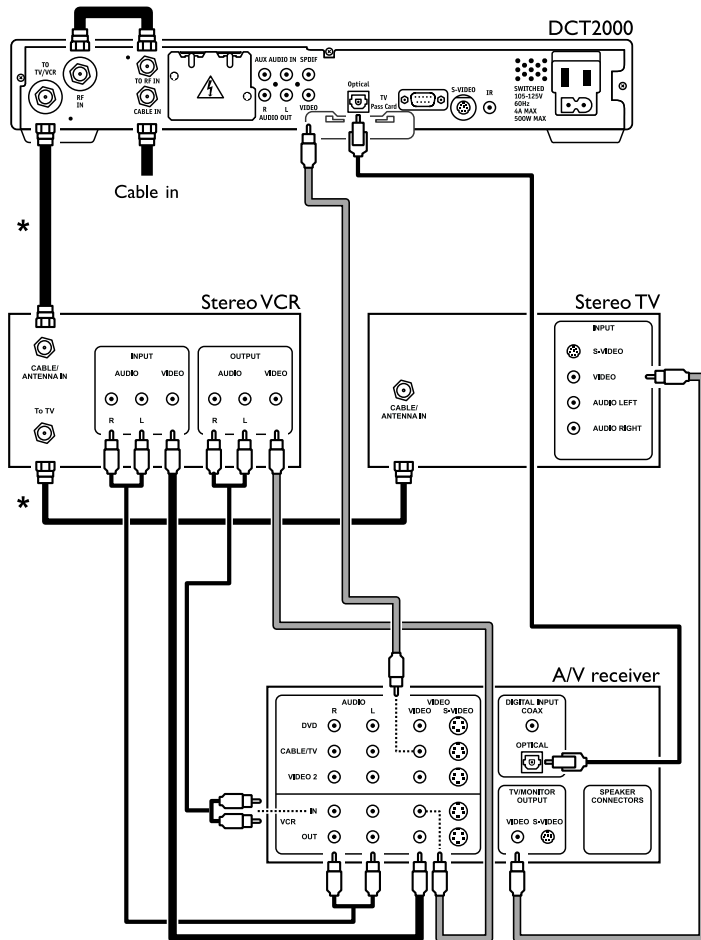
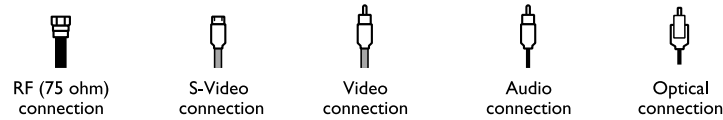
Connecting the DCT

Connecting a Stereo TV and Mono VCR

1. Connect an RF coaxial cable between the cable wall outlet and the CABLE IN connector on the DCT.
 2. Connect the RF coaxial cable, supplied with the DCT, between the RF IN and TO RF IN connectors on the DCT.
 3. Connect a RF coaxial cable between the TO TV / VCR connector on the DCT and the CABLE / ANTENNA IN connector on the mono VCR.
 4. Connect a RF coaxial cable between the To TV connector on the mono VCR and the CABLE / ANTENNA IN connector on the stereo TV.
 5. Connect a stereo audio cable between the AUDIO OUT R and L connectors on the DCT and the INPUT AUDIO RIGHT and LEFT connectors on the stereo TV.
 6. Connect a video cable between the VIDEO connector on the DCT and the INPUT VIDEO connector on the stereo TV.
- OR
- Connect a S-video cable between the S-VIDEO connector on the DCT and the INPUT S-VIDEO connector on the stereo TV.

Connecting the DCT

Connecting Your DCT



Connecting the DCT

Connecting Dolby® 5.1, TV, VCR and A/V Receiver

1. Connect an RF cable between the cable wall outlet and the CABLE IN connector on the DCT.
2. Connect the RF coaxial cable, supplied with the DCT, between the RF IN and TO RF IN connectors on the DCT.
3. Connect an optical audio cable between the OPTICAL connector on the DCT2000 and the OPTICAL connector on the A / V receiver.
4. Connect a stereo audio cable between the VCR AUDIO OUT R and L connectors on the A / V receiver and the INPUT AUDIO R and L connectors on the stereo VCR.
5. Connect a video cable between the VIDEO connector on the DCT and the CABLE / TV VIDEO connector on the A / V receiver.
6. Connect a stereo audio cable between the OUTPUT AUDIO R and L connectors on the stereo VCR and the AUDIO VCR IN R and L connectors on the A/V receiver.
7. Connect a video cable between the INPUT VIDEO connector on the stereo VCR and the VIDEO VCR OUT connector on the A / V receiver.
8. Connect a video cable between the OUTPUT VIDEO connector on the stereo VCR and the VIDEO VCR IN connector on the A / V receiver.
9. Connect a video cable between the INPUT VIDEO connector on the stereo TV and the TV / MONITOR OUTPUT VIDEO connector on the A / V receiver.

Cable connections marked with an * are optional. These connections allow the use of the DCT and TV without powering-on the VCR and A/V Receiver.

The optional connections are:

- Connect a RF coaxial cable between the TO TV / VCR connector on the DCT and the CABLE / ANTENNA IN connector on the stereo VCR.
- Connect a RF coaxial cable between the To TV connector on the stereo VCR and the CABLE / ANTENNA IN connector on the stereo TV.

When using the Dolby® 5.1 optical output, the SPDIF and left / right baseband audio connections to the A / V receiver are not used.